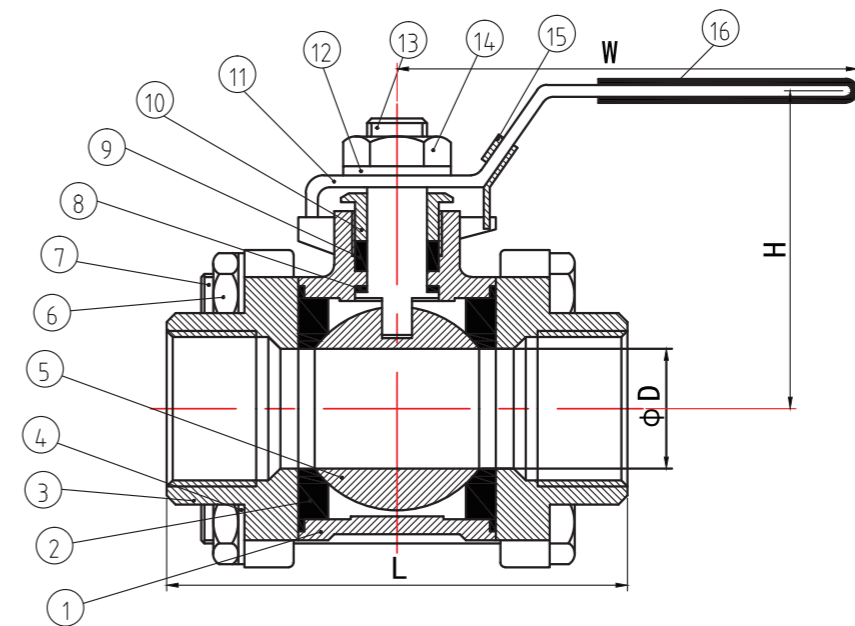




- Válvula de esfera paso total 3 piezas Inoxidable
- Stainless steel full port ball valve, 3 pieces

| CARACTERÍSTICAS | FEATURES |
|---|---|
| 1. Válvula esfera 3 piezas | 1. Ball Valve, 3 piece. |
| 2. Extremos roscados NPT ANSI B 2.1. BSP Bs21 | 2. Thread ends according ANSI B 2.1 NPT. BS21 BSP |
| 3. paso total. | 3. Full Bore |
| 4. Construcción en Inox | 4. Made of Stainless Steel |
| 5. Presión de trabajo máxima 1000WOG | 5. Max.. Working pressure 1000WOG |
| 6. Temperatura de trabajo -25 °C + 180 °C. | 6 Working Temperature -25 °C + 180 °C |
| 7. Vástago inexpulsable. | 7. Blow-out proof stem |
| 8. Sistema de bloqueo | 8. locking system. |



| No | Denominación / Name | Material | | | |
|----|-----------------------------------|------------------------------|------------------------------|------------------------------|---------------|
| | | S036(*N/B) | S036R(*N/B) | S034R(*N/B) | S034(*N/B) |
| 1 | Cuerpo / Body | Acero Inox AISI 316 / SS 316 | | Acero Inox AISI 304 / SS 304 | |
| 2 | Asiento / Ball Seat | Teflón (PTFE) | Teflón + 15% FV / PTFE + 15% | Teflón + 15%FV / PTFE + 15% | Teflón (PTFE) |
| 3 | Tapa / Cap | Acero Inox AISI 316 / SS 316 | | Acero Inox AISI 304 / SS 304 | |
| 4 | Arandela muelle /Spring Washer | Acero Inox AISI 304 / SS 304 | | Acero Inox AISI 304 / SS 304 | |
| 5 | Bola / Ball | Acero Inox AISI 316 / SS 316 | | Acero Inox AISI 304 / SS 304 | |
| 6 | Tuerca / Nut | Acero Inox AISI 304 / SS 304 | | Acero Inox AISI 304 / SS 304 | |
| 7 | Tornillo / Bolt | Acero Inox AISI 304 / SS 304 | | Acero Inox AISI 304 / SS 304 | |
| 8 | Anillo fricción / Friction ring | Teflón (PTFE) | | Teflón (PTFE) | |
| 9 | Anillo Prensa / Stem packing | Teflón (PTFE) | | Teflón (PTFE) | |
| 10 | Anillo Prensa / Gland | Acero Inox AISI 316 / SS 316 | | Acero Inox AISI 304 / SS 304 | |
| 11 | Maneta / Handle | Acero Inox AISI 201 / SS 201 | | Acero Inox AISI 201 / SS 201 | |
| 12 | Arandela muelle /Spring Washer | Acero Inox AISI 304 / SS 304 | | Acero Inox AISI 304 / SS 304 | |
| 13 | Eje / Stem | Acero Inox AISI 316 / SS 316 | | Acero Inox AISI 304 / SS 304 | |
| 14 | Tuerca / Nut | Acero Inox AISI 304 / SS 304 | | Acero Inox AISI 304 / SS 304 | |
| 15 | Sistema de bloqueo/Locking Device | Acero Inox AISI 201 / SS 201 | | Acero Inox AISI 201 / SS 201 | |
| 16 | Funda / Handle Sleeve | PVC | | PVC | |

* N: Extremos roscados NPT ANSI B 2.1 / Thread ends according ANSI B 2.1 NPT
 * B: Extremos roscados BSP BS21 / Thread ends according BS21 BSP

Dimensiones Generales / General Dimensions:

| Medida / Size | Dimensiones / Dimensions (mm) | | | | Peso / Weight(g) |
|---------------|-------------------------------|-----|-----|-------|------------------|
| | D | W | H | L(+2) | |
| 1/4" | 8 | 98 | 55 | 62 | 0.4 |
| 3/8" | 10 | 98 | 55 | 62 | 0.4 |
| 1/2" | 15 | 102 | 63 | 65 | 0.44 |
| 3/4" | 20 | 105 | 65 | 72 | 0.56 |
| 1" | 25 | 110 | 71 | 81 | 0.76 |
| 1 1/4" | 32 | 128 | 75 | 95 | 1.28 |
| 1 1/2" | 38 | 155 | 86 | 104 | 1.6 |
| 2" | 49 | 165 | 92 | 125 | 2.3 |
| 2 1/2" | 63 | 205 | 125 | 145 | 4.9 |
| 3" | 76 | 220 | 145 | 198 | 7.52 |
| 4" | 100 | 275 | 165 | 245 | 13.2 |

VALORES DE Kv / Kv VALUES

Kv (m³/h) = Es la cantidad de metros cúbicos por hora que pasará a través de la válvula generando una pérdida de carga de 1 bar.

Kv (m³/h) = Flow rate of water in cubic meter per hour that will generate a pressure drop of 1 bar across the valve.

| 1/4" | 3/8" | 1/2" | 3/4" | 1" | 1 1/4" | 1 1/2" | 2" | 2 1/2" | 3" | 4" |
|------|------|------|------|----|--------|--------|-----|--------|------|------|
| 6 | 10 | 24 | 43 | 83 | 130 | 205 | 340 | 520 | 1100 | 1820 |