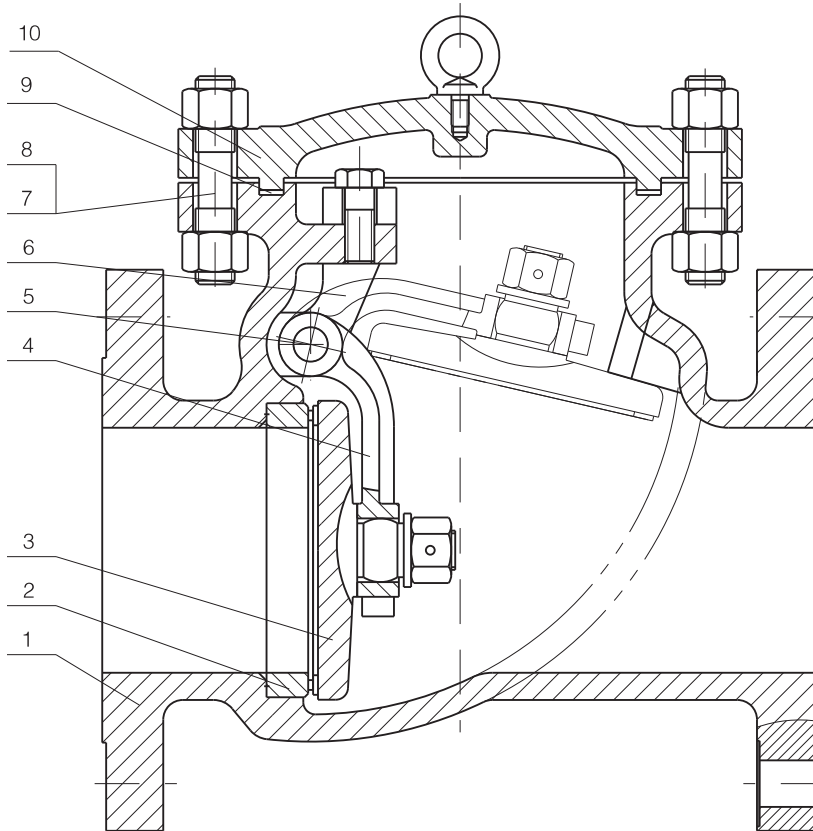


Cast Steel Swing Check Valve (Bolt Cover)



Applicable Standards:

Design and Manufacture :BS1868
Face to Face and End to End: ASME B 16.10
Flanged ends: ASME B16.5
Butt welded ends: ASME B16.25
Test & Inspection: API 598

Main Materials:

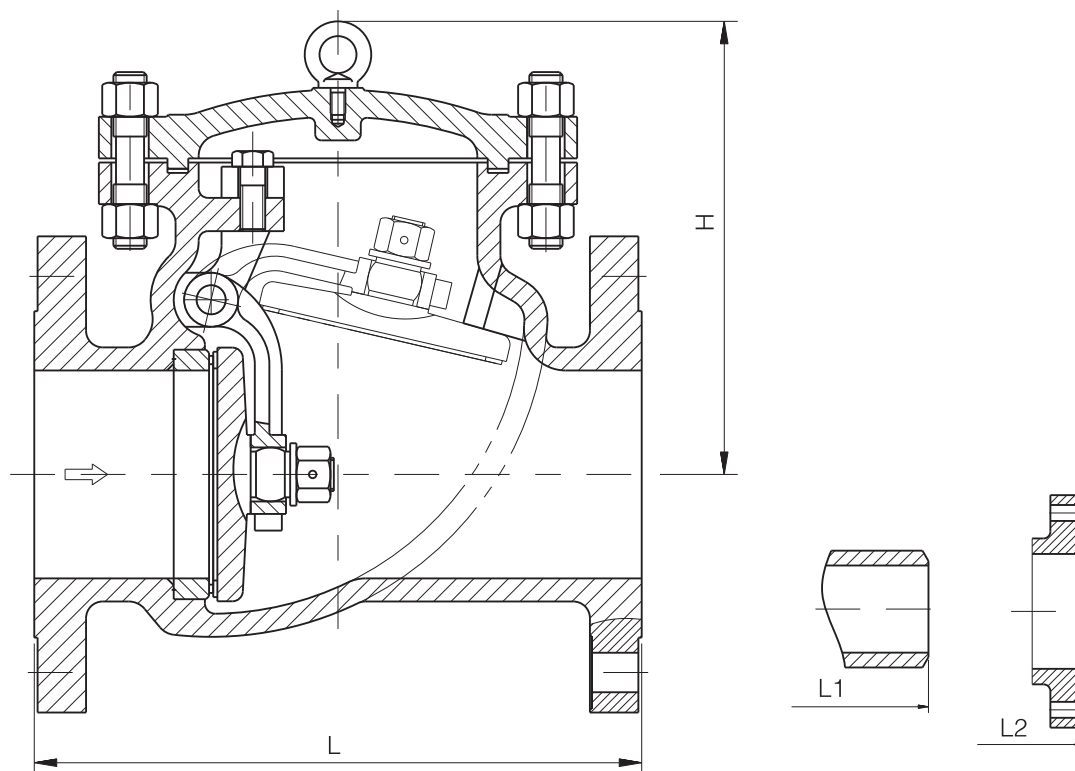
WCB, LCB, WC6, WC9, CF8, CF8M,
CF3, CF3M, A995 4A, A995 5A, A995 6A,
Alloy 20, Monel, Inconel

Main Parts Material Sheet

NO.	PART	ASTM Material				
		WCB	LCB ⁽¹⁾	WC6	CF8(M)	CF3(M)
1	BODY	A216 WCB	A352 LCB	A217 WC6+STL	A351 CF8(M)+STL	A351 CF3(M)+STL
2	SEAT	A216 WCB+13Cr	A352 LCB+13Cr	—	—	—
3	DISC	A216 WCB+13Cr	A352 LCB+13Cr	A217 WC6+STL	A351 CF8(M)	A351 CF3(M)
4	HINGE	A216 WCB	A182 F6	A182 F6	A351 CF8(M)	A351 CF3(M)
5	HINGE PIN	A276 304	A182 F6	A182 F6	A182 F304(F316)	A182 F304(F316)
6	FORK	A216 WCB	A352 LCB	A217 WC6	A351 CF8(M)	A351 CF3(M)
7	COVER BOLT	A193 B7	A320 L7	A193 B16	A193 B8(M)	A193 B8(M)
8	COVER NUT	A194 2H	A194 7	A194 4	A194 8(M)	A194 8(M)
9	GASKET	SS304+GRAPHITE			PTFE/SS304+GRAPHITE	PTFE/SS316+GRAPHITE
10	COVER	A216 WCB	A352 LCB	A217 WC6	A351 CF8(M)	A351 CF3(M)

Different Trim are available upon request.

Cast Steel Swing Check Valve (Bolt Cover)



Dimensions

CLASS 150

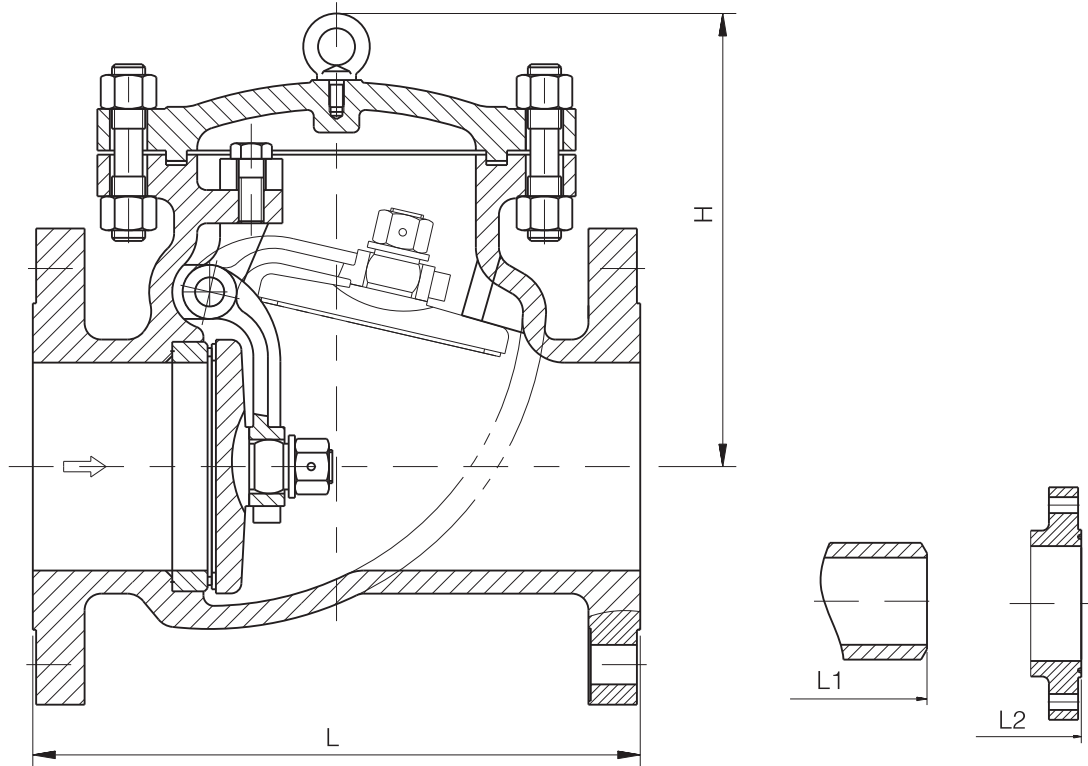
Size	in	1/2	3/4	1	1 1/2	2	2 1/2	3	4	6	8	10	12	14	16	18	20	24	26
	mm	15	20	25	40	50	65	80	100	150	200	250	300	350	40	450	500	600	650
L/L1 (RF/BW)	in	4.25	4.62	5.00	6.50	8.00	8.50	9.50	11.50	14.00	19.50	24.50	27.50	31.00	34.00	38.50	38.50	51.00	-
	mm	108	117	127	165	203	216	241	292	356	495	622	699	787	864	978	978	1295	-
L2 (RTJ)	in	-	-	-	-	8.50	9.00	10.00	12.00	14.50	20.00	25.00	28.00	31.50	34.50	39.00	39.00	21.50	-
	mm	-	-	-	-	216	229	254	305	368	508	635	711	800	876	991	991	1308	-
H (Open)	in	3.12	3.38	3.88	4.38	6.00	6.50	6.88	8.00	11.50	13.88	15.38	17.00	18.75	20.62	22.88	24.62	24.75	-
	mm	80	85	100	110	152	165	175	204	293	353	390	432	475	525	582	627	883	-

Dimensions

CLASS 300

Size	in	1/2	3/4	1	1 1/2	2	2 1/2	3	4	6	8	10	12	14	16	18	20	24	26
	mm	15	20	25	40	50	65	80	100	150	200	250	300	350	40	450	500	600	650
L/L1 (RF/BW)	in	6.00	7.00	8.00	9.00	10.50	11.50	12.50	14.00	17.50	21.00	24.50	28.00	33.00	34.00	38.50	40.00	53.00	-
	mm	152	178	203	229	267	292	318	356	445	533	622	711	838	864	978	1016	1346	-
L2 (RTJ)	in	-	-	-	-	11.12	12.12	13.12	14.62	18.12	21.62	25.12	28.62	33.62	34.62	39.12	40.75	53.88	-
	mm	-	-	-	-	283	308	333	371	460	549	638	727	854	879	994	1035	1368	-
H (Open)	in	3.12	3.38	3.88	4.38	6.00	6.50	6.88	8.00	11.50	13.88	15.38	17.00	18.75	20.62	22.88	24.62	34.75	-
	mm	80	85	100	110	152	165	175	204	293	353	390	432	475	525	582	627	883	-

Cast Steel Check Valve Series



Dimensions

CLASS 600

Size	in	1/2	3/4	1	1 1/2	2	2 1/2	3	4	6	8	10	12	14	16	18	20	24	26
	mm	15	20	25	40	50	65	80	100	150	200	250	300	350	40	450	500	600	650
L/L1 (RF/BW)	in	6.50	7.50	8.50	9.50	11.50	13.00	14.00	17.00	22.00	26.00	31.00	33.00	35.00	39.00	43.00	47.00	55.00	-
	mm	165	190	216	241	292	330	356	432	559	660	787	838	889	991	1092	1194	1397	-
L2 (RTJ)	in	-	-	-	-	11.62	13.12	14.12	17.12	22.12	26.12	31.12	33.12	35.12	39.12	43.12	47.25	55.38	-
	mm	-	-	-	-	295	333	359	435	562	664	791	841	892	994	1095	1200	1407	-
H (Open)	in	3.38	3.50	4.50	5.50	7.50	8.00	8.75	10.00	14.50	17.50	19.25	21.38	23.38	25.75	28.75	31.00	43.50	-
	mm	85	90	115	140	190	205	222	255	368	445	490	540	595	655	730	785	1105	-

Dimensions

CLASS 900

Size	in	2	2 1/2	3	4	6	8	10	12	14	16
	mm	50	65	80	100	150	200	250	300	350	400
L1 (BW)	in	14.50	16.50	15.00	18.00	24.00	29.00	33.00	38.00	40.50	44.50
	mm	368	419	381	457	610	737	838	965	1029	1130
L (RF)	in	14.50	16.50	15.00	18.00	24.00	29.00	33.00	38.00	40.5	44.5
	mm	368	419	381	457	610	737	838	965	1029	1130
L2 (RTJ)	in	14.62	16.62	15.12	18.12	24.12	29.12	33.12	38.12	40.38	44.88
	mm	371	422	384	460	613	740	841	968	1038	1140
H	in	9.50	9.50	10.00	13.38	15.75	18.12	21.62	24.00	27.00	29.50
	mm	240	240	255	340	400	460	550	610	685	750

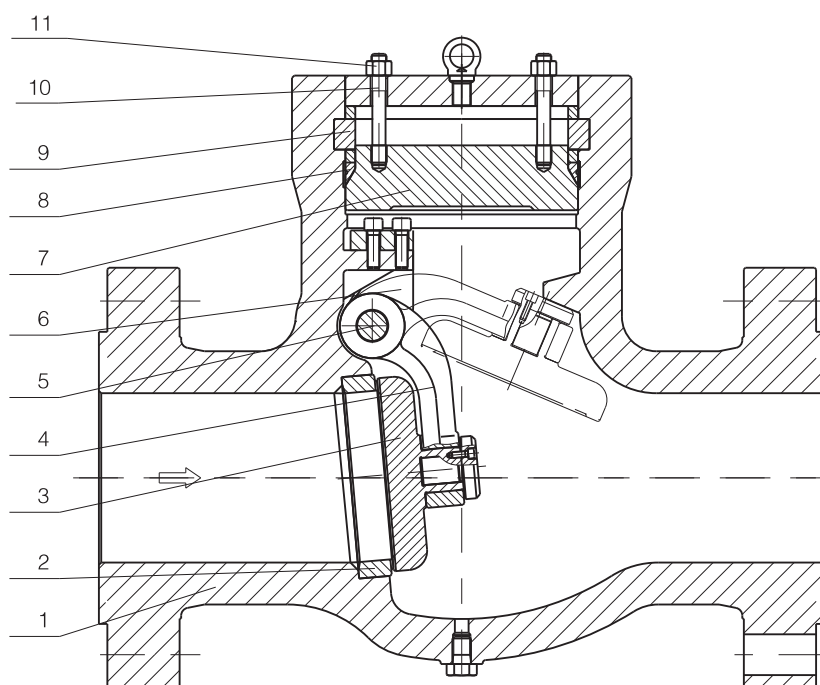
Cast Steel Swing Check Valve (Pressure Seal Cover)

Applicable Standards:

Design and Manufacture :ASME 16.34
 Face to face and End to End: ASME B 16.10
 Flanged ends: ASME B16.5
 Butt welded ends: ASME B16.25
 Test & Inspection: API 598

Main Materials:

WCB, LCB, WC6, WC9, CF8, CF8M,
 CF3, CF3M, A995 4A, A995 5A, A995 6A,
 Alloy 20, Monel, Inconel

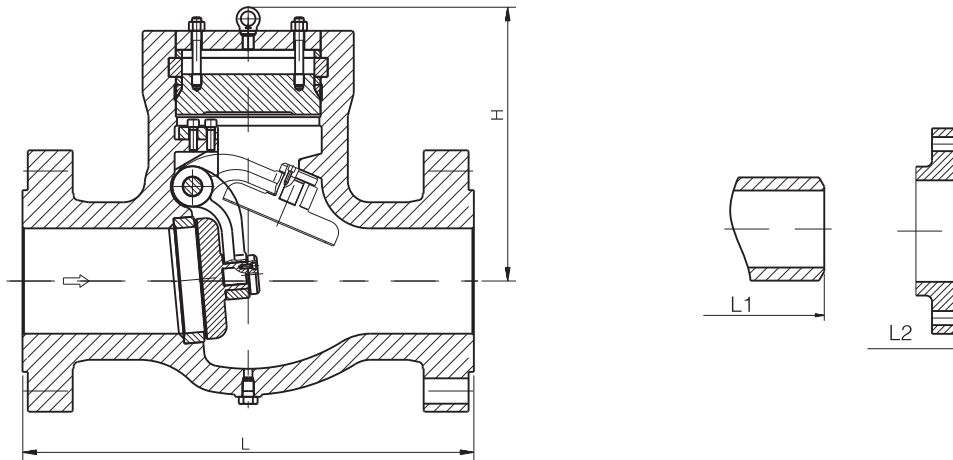


Main Parts Material Sheet

NO.	PART	ASTM Material				
		WCB	LCB ⁽¹⁾	WC6	CF8(M)	CF3(M)
1	BODY	A216 WCB	A352 LCB	A217 WC6+STL	A351 CF8(M)+STL	A351 CF3(M)+STL
2	SEAT	A216 WCB+13Cr	A352 LCB+13Cr	—	—	—
3	DISC	A216 WCB+13Cr	A352 LCB+13Cr	A217 WC6+STL	A351 CF8(M)+STL	A351 CF3(M)+STL
4	HINGE	A216 WCB	A352 LCB	A217 WC6	A351 CF8(M)	A351 CF3(M)
5	HINGE PIN	A276 304	A276 304	A276 304	A182 F304(F316)	A182 F304L(F316L)
6	FORK	A216 WCB	A350 LF2	A217 WC6	A351 CF8(M)	A351 CF3(M)
7	COVER	A105	A105	A182 F11	A182 F304(F316)	A182 F304L(F316L)
8	PRESSURE SEAL RING	PURE IRON			SS304 / SS316	SS304L / SS316L
9	SEGMENT RING	A182 F6			SS304 / SS316	SS304L / SS316L
10	STUD	A193 B7	A320 L7	A193 B16	A193 B8	A193 B8
11	NUT	A194 2H	A194 4	A194 4	A194 8	A194 8

Different Trim are available upon request.

Cast Steel Check Valve Series



Dimensions

Size	in	2	2 ¹ / ₂	3	4	6	8	10	12	14	16
	mm	50	65	80	100	150	200	250	300	350	400
CLASS 900											
L1 (BW)	in	8.50	10.00	12.00	14.00	20.00	26.00	31.00	36.00	39.00	43.00
	mm	216	254	305	356	508	660	787	914	991	1092
L (RF)	in	14.50	16.50	15.00	18.00	24.00	29.00	33.00	38.00	40.5	44.5
	mm	368	419	381	457	610	737	838	965	1029	1130
L2 (RTJ)	in	14.62	16.62	15.12	18.12	24.12	29.12	33.12	38.12	40.38	44.88
	mm	371	422	384	460	613	740	841	968	1038	1140
H	in	9.50	9.50	10.00	13.38	15.75	18.12	21.62	24.00	27.00	29.50
	mm	240	240	255	340	400	460	550	610	685	750
CLASS 1500											
L1 (BW)	in	8.50	10.00	12.00	16.00	22.00	28.00	34.00	39.00	42.00	—
	mm	216	254	305	406	559	711	864	991	1067	—
L (RF)	in	14.50	16.50	18.50	21.50	27.75	32.75	39	44.5	49.5	—
	mm	368	419	470	546	705	832	991	1130	1257	—
L2 (RTJ)	in	14.62	16.62	18.62	21.62	28.00	33.12	39.38	45.12	50.25	—
	mm	371	422	473	549	711	842	1000	1146	1276	—
H	in	9.50	9.50	11.88	15.38	18.00	20.62	24.00	27.00	30.00	—
	mm	240	240	300	390	455	525	610	685	760	—
CLASS 2500											
L1 (BW)	in	11.00	13.00	14.50	18.00	24.00	30.00	36.00	41.00	—	—
	mm	279	330	368	457	610	762	914	1041	—	—
L (RF)	in	17.75	20.00	22.75	26.50	36.00	40.25	50	56	—	—
	mm	451	508	578	673	914	1022	1270	1422	—	—
L2 (RTJ)	in	17.88	20.50	23.00	26.88	36.50	40.88	50.88	56.88	—	—
	mm	454	514	584	683	927	1038	1292	1445	—	—
H	in	10.25	10.25	13.75	16.12	18.88	22.38	25.25	32.00	—	—
	mm	260	260	350	410	480	570	640	815	—	—

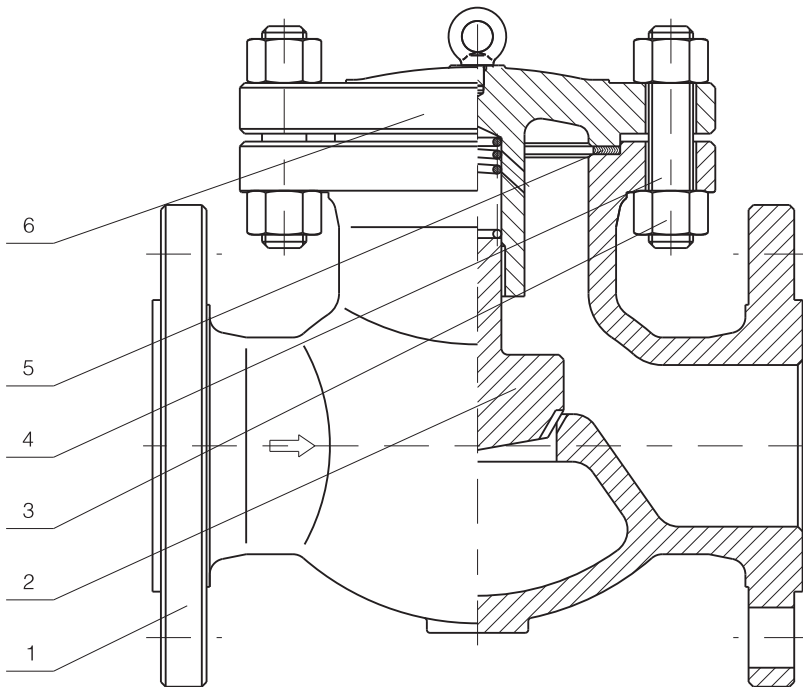
Cast Steel Lift Check Valve (Bolt Cover)

Applicable Standards:

Design and Manufacture :BS1868
 Face to face and End to End: ASME B 16.10
 Flanged ends: ASME B16.5
 Butt welded ends: ASME B16.25
 Test & Inspection: API 598

Main Materials:

WCB, LCB, WC6, WC9, CF8, CF8M,
 CF3, CF3M, A995 4A, A995 5A, A995 6A,
 Alloy 20, Monel, Inconel

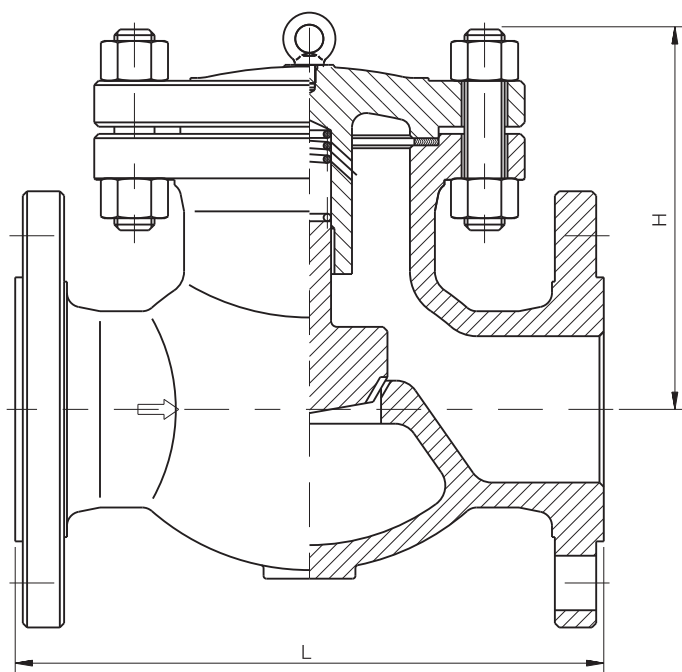


Main Parts Material Sheet

NO.	PART	ASTM Material				
		WCB	LCB	WC6	CF8(M)	CF3(M)
1	BODY	A216 WCB	A352 LCB	A217 WC6	A351 CF8(M)	A351 CF3(M)
2	DISC	A216 WCB+13Cr	A352 LCB+13Cr	A217 WC6+STL	A351 CF8(M)	A351 CF3(M)
3	COVER STUD	A193 B7	A320 L7	A193 B16	A193 B8(M)	A193 B8(M)
4	COVER NUT	A194 2H	A194 4	A194 4	A194 8(M)	A194 8(M)
5	GASKET	SS304+GRAPHITE/SS316+GRAPHITE				
6	COVER	A216 WCB	A352 LCB	A217 WC6	A351 CF8(M)	A351 CF3(M)

Different Trim are available upon request.

Cast Steel Lift Check Valve (Bolt Cover)



Dimensions

CLASS 150~900

Pressure	CLASS 150								
Size	mm	50	65	80	100	150	200	250	300
	in	2	2 1/2	3	4	6	8	10	12
L(mm)		203	216	241	292	356	495	622	698
H(mm)		165	175	190	215	265	320	365	415
Pressure	CLASS 300								
Size	mm	50	65	80	100	150	200	250	300
	in	2	2 1/2	3	4	6	8	10	12
L(mm)		267	292	318	356	325	559	622	711
H(mm)		175	212	242	260	265	412	460	570
Pressure	CLASS 600								
Size	mm	50	65	80	100	150	200	250	300
	in	2	2 1/2	3	4	6	8	10	12
L(mm)		292	330	356	432	559	660	787	838
H(mm)		120	140	160	200	225	460	570	635
Pressure	CLASS 900								
Size	mm	50	65	80	100	150			
	in	2	2 1/2	3	4	6			
L(mm)		368	419	381	457	610			
H(mm)		250	280	290	335	510			